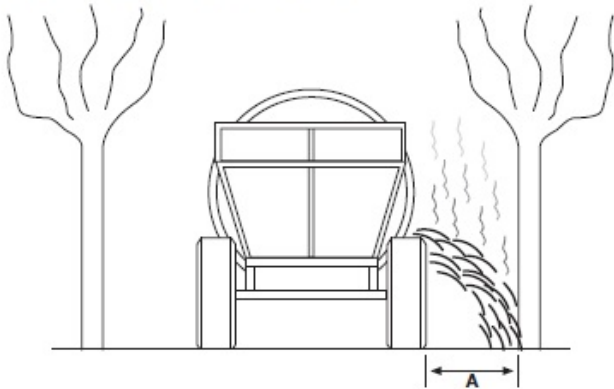


WORKING DISTANCES

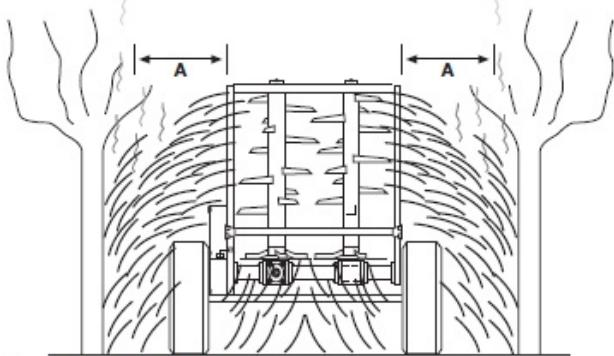
Mod. F.V.S.



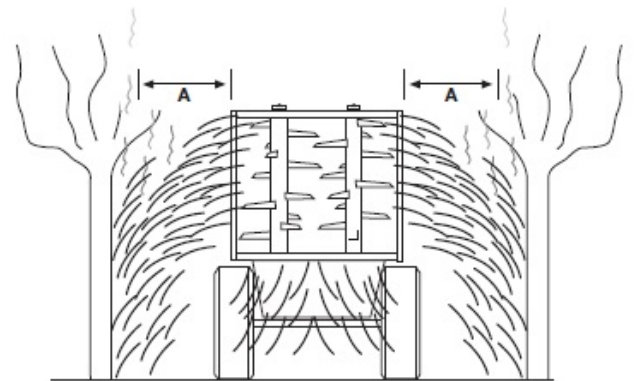
A = Min. 20 cm.
Max 150 cm.

The casings can be adjusted

Vertical-roller models

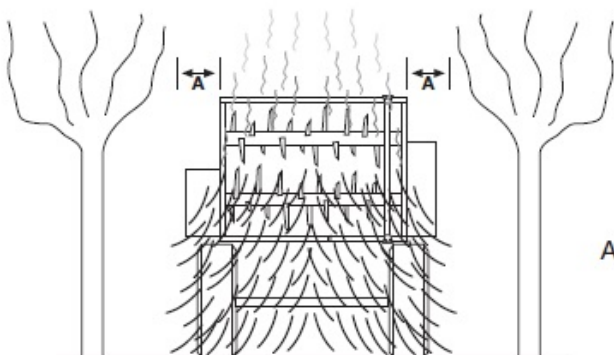


A = Min. 120-150 cm.
Max 120-150 cm.

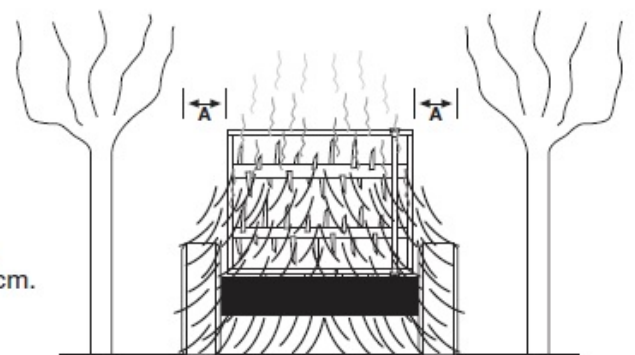


★ To gather the product towards the central part - see the accessory "pair of rear stabilizers".

Mod. A.F.O. - A.F.O.RE



A = Min. 10 cm.
Max 25-30 cm.



- ★ Working distances are indicative
- ★ 1) Important: the operation of the machine can vary according to the characteristics of the product to be distributed
- ★ 2) The adjusting system of the manure spreader
 - A) edge with chain feed, if supplied, or the chains only
 - B) the turns of the tractor for the roller speed
 - C) feed speed